

JVC

SCHEMATIC DIAGRAMS

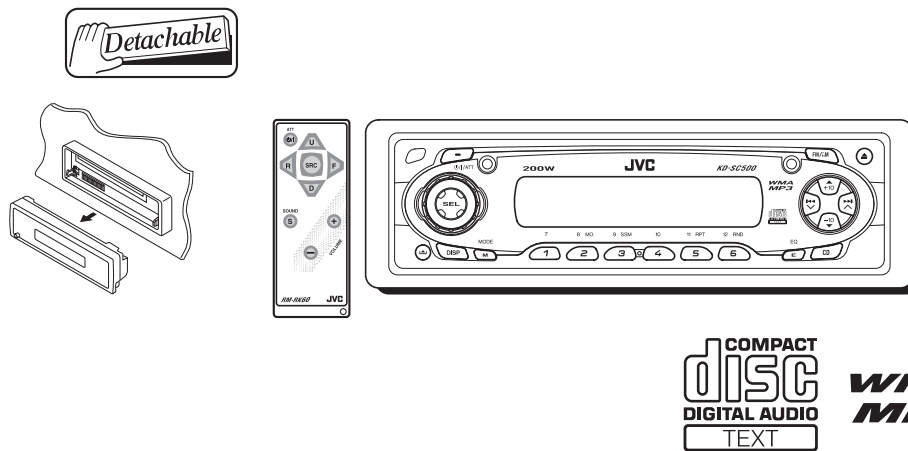
CD RECEIVER

KD-SC500

CD-ROM No.SML200401

Area suffix

J ----- Northern America



Contents

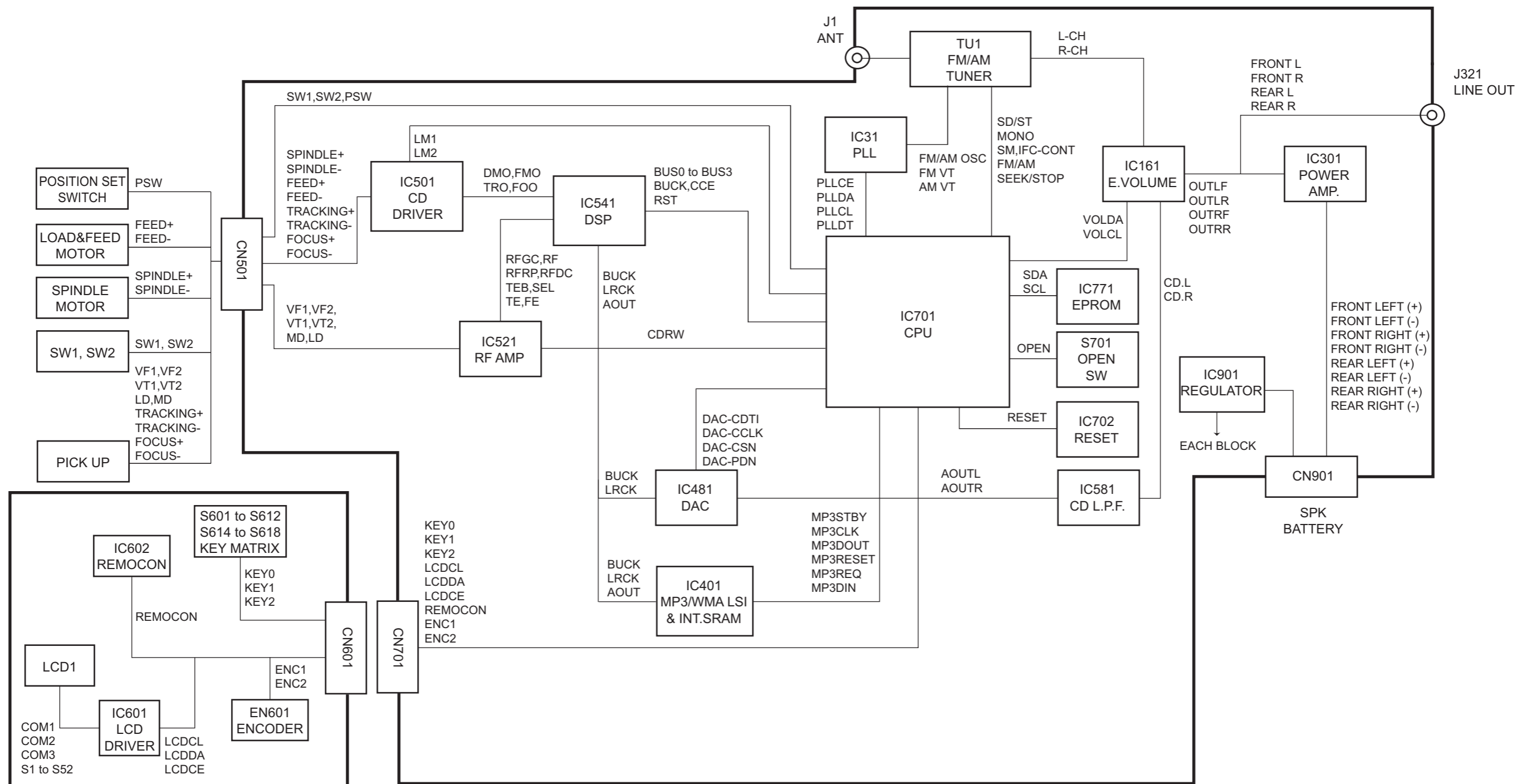
Block diagram	2-1
Standard schematic diagrams	2-2
Printed circuit boards	2-5 to 7

Safety precaution

 **CAUTION** Burrs formed during molding may be left over on some parts of the chassis. Therefore, pay attention to such burrs in the case of performing repair of this system.

 **CAUTION** Please use enough caution not to see the beam directly or touch it in case of an adjustment or operation check.

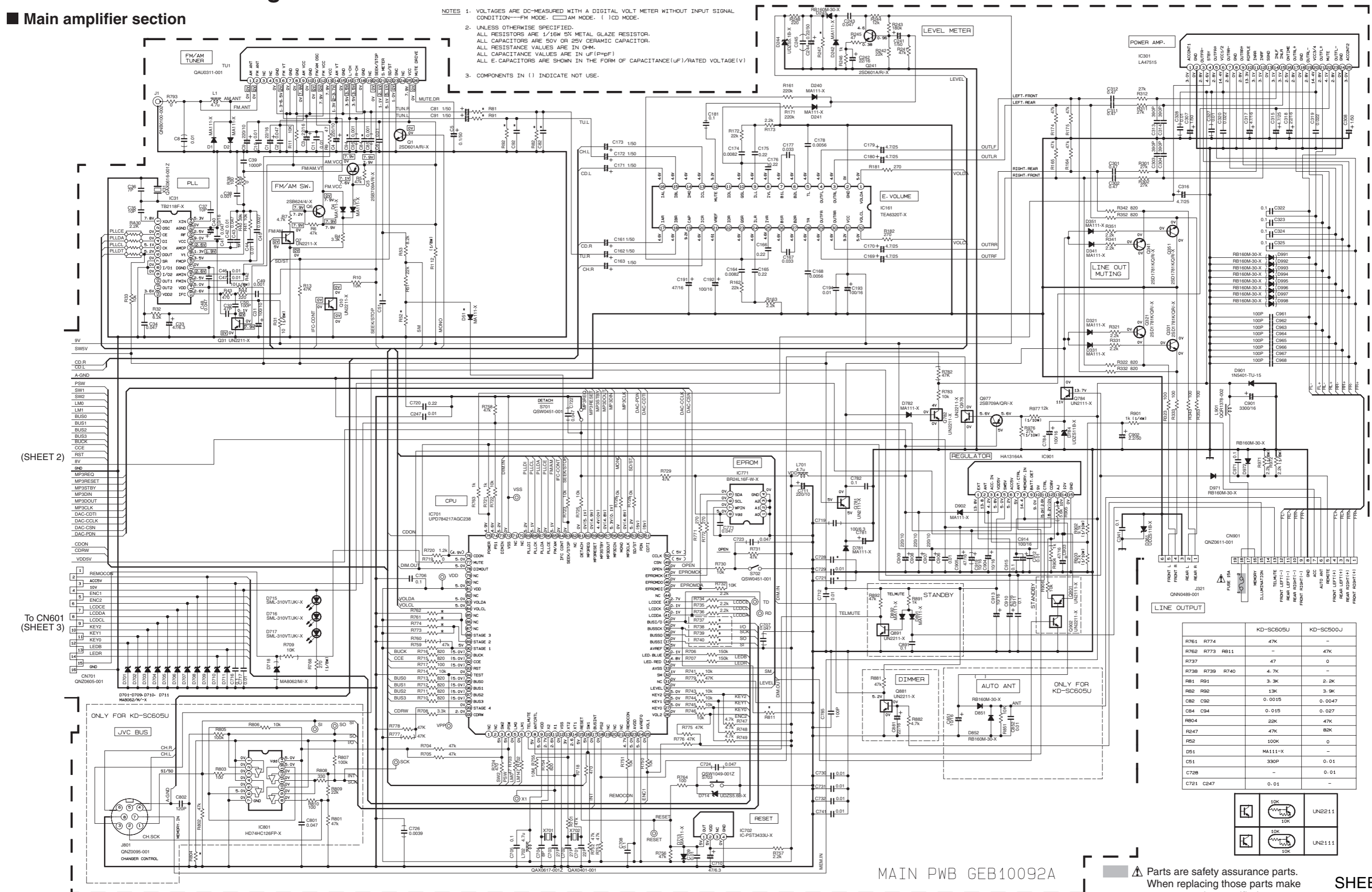
Block diagram



Standard schematic diagrams

■ Main amplifier section

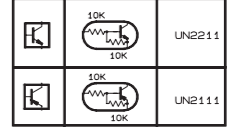
- NOTES
1. VOLTAGES ARE DC-MEASURED WITH A DIGITAL VOLT METER WITHOUT INPUT SIGNAL CONDITION—FM MODE. □ AM MODE. () DC MODE.
 2. UNLESS OTHERWISE SPECIFIED, ALL RESISTORS ARE 1/16W 5% METAL GLAZE RESISTOR. ALL CAPACITORS ARE 50V OR 25V CERAMIC CAPACITOR. ALL RESISTANCE VALUES ARE IN OHM. ALL CAPACITANCE VALUES ARE IN UF (P=PF) ALL E. CAPACITORS ARE SHOWN IN THE FORM OF CAPACITANCE(UF)/RATED VOLTAGE(V)
 3. COMPONENTS IN () INDICATE NOT USE.



(SHEET 2)

To CN601 (SHEET 3)

	KD-SC605U	KD-SC500J
R761 R774	47K	-
R762 R773 R811	-	47K
R737	47	0
R738 R739 R740	4.7K	0
R81 R891	3.3K	2.2K
R82 R82	13K	3.9K
C82 C92	0.0015	0.0047
C84 C94	0.015	0.027
R804	22K	47K
R247	47K	82K
R52	100K	0
D51	MA111-X	-
C51	330P	0.01
C728	-	0.01
C721 C847	0.01	-

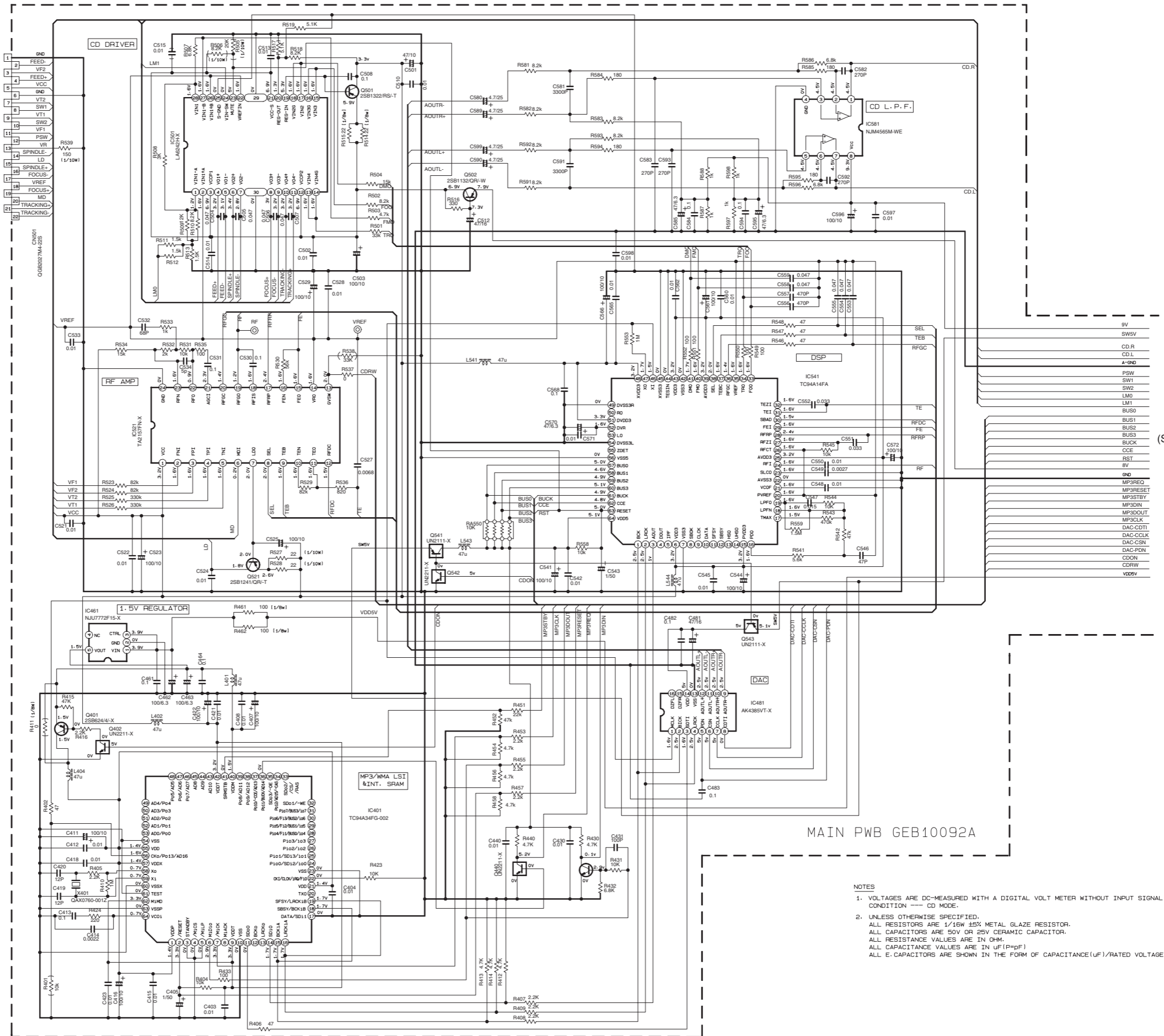
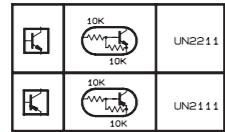
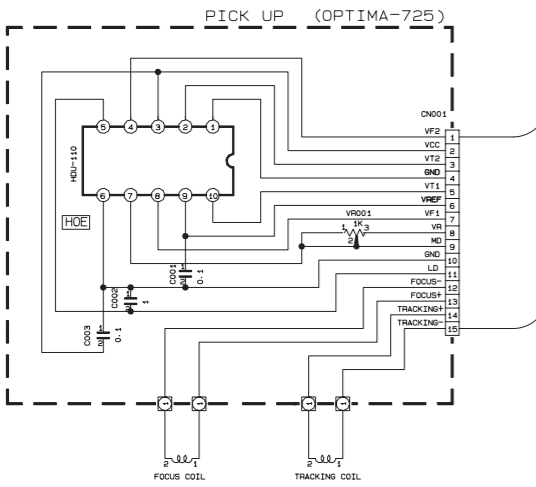
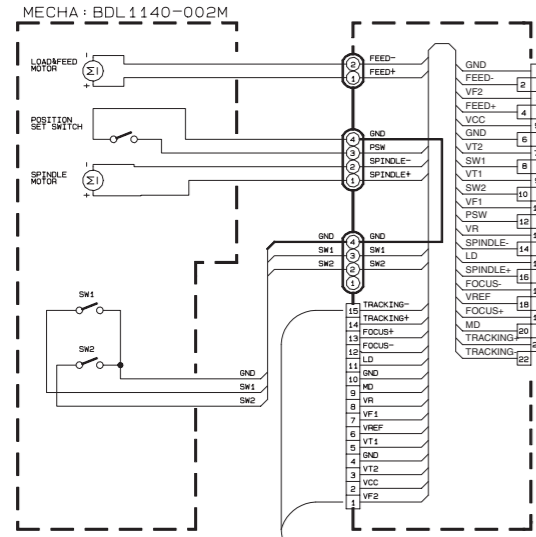


MAIN PWB GEB10092A

Parts are safety assurance parts. When replacing those parts make sure to use the specified one.

SHEET 1

CD servo section

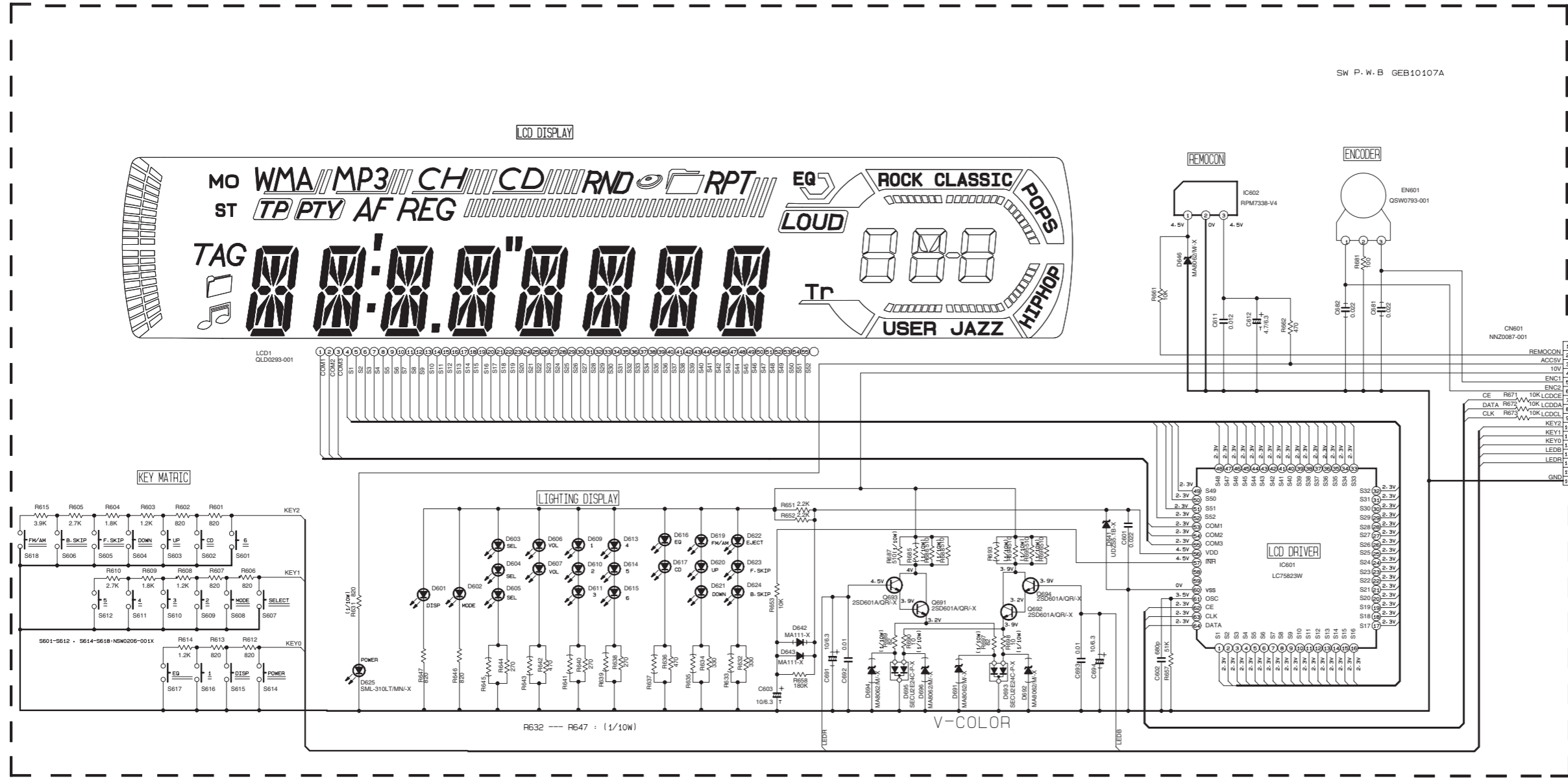


MAIN PWB GEB10092A

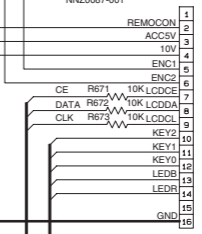
NOTES
 1. VOLTAGES ARE DC-MEASURED WITH A DIGITAL VOLT METER WITHOUT INPUT SIGNAL CONDITION --- CD MODE.
 2. UNLESS OTHERWISE SPECIFIED.
 ALL RESISTORS ARE 1/16W 1% METAL GLAZE RESISTOR.
 ALL CAPACITORS ARE 50V OR 25V CERAMIC CAPACITOR.
 ALL RESISTANCE VALUES ARE IN OHM.
 ALL CAPACITANCE VALUES ARE IN uF(P=PF)
 ALL E-CAPACITORS ARE SHOWN IN THE FORM OF CAPACITANCE(uF)/RATED VOLTAGE(V)

(SHEET 1)

■ LCD & Key control section



SW P. W. B GEB10107A



To CN701 (SHEET 1)

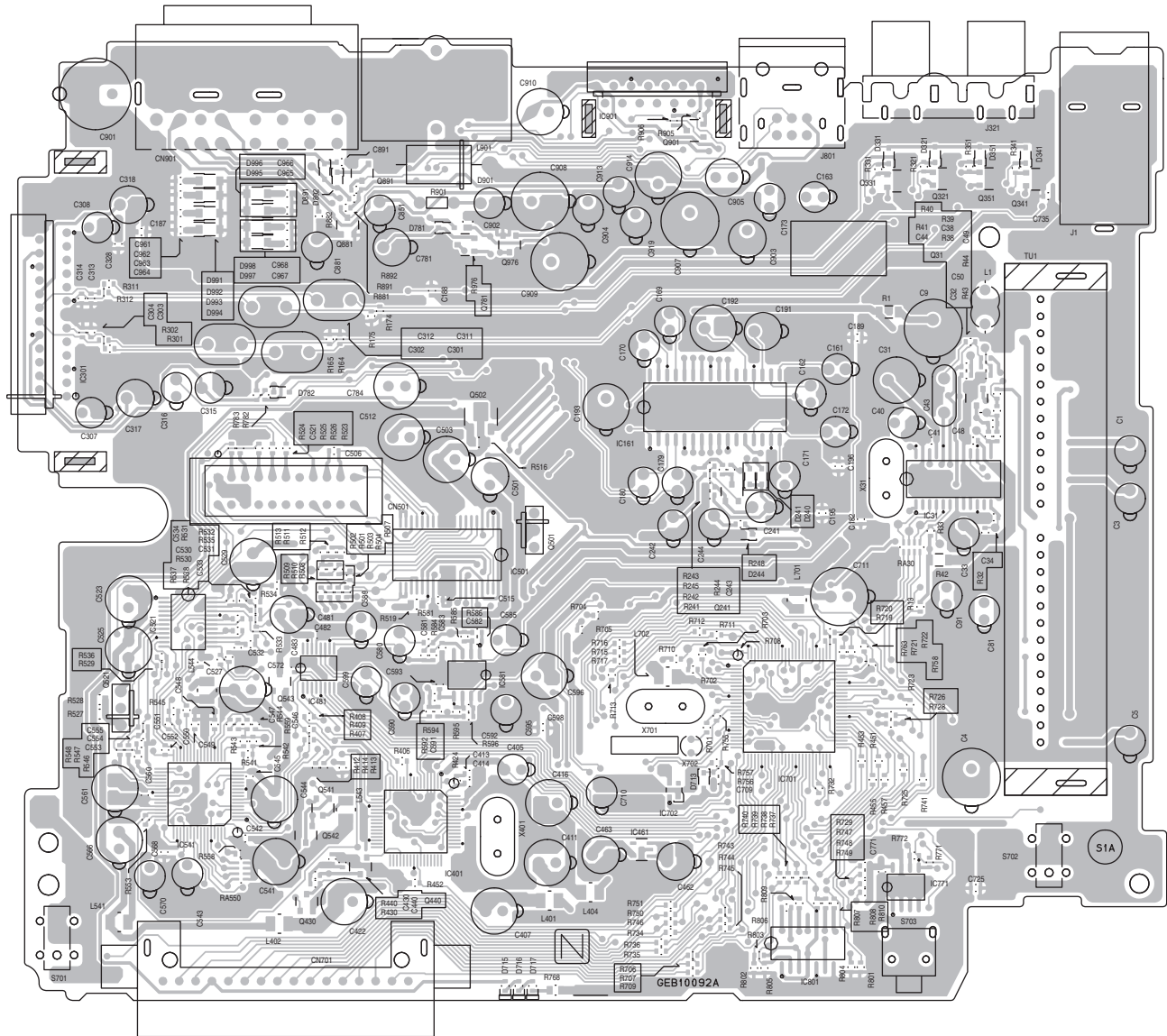
D601-D607	D609-D611	SML-310VT/K/-X
D613-D617	D619-D624	

- NOTES
1. VOLTAGES ARE DC-MEASURED WITH A DIGITAL VOLT METER WITHOUT INPUT SIGNAL.
 2. UNLESS OTHERWISE SPECIFIED, ALL RESISTOR ARE 1/16W 15% METAL GLAZE RESISTOR. ALL CAPACITORS ARE 50V OR 25V CERAMIC CAPACITOR. ALL RESISTANCE VALUES ARE IN OHM. ALL CAPACITANCE VALUES ARE IN UF (P=PF) ALL E-CAPACITORS ARE SHOWN IN THE FORM OF CAPACITANCE(UF1)/RATED VOLTAGE(V) T --- TANTALUM CAPACITOR.
 3. COMPONENTS IN () INDICATE NOT USE.

Printed circuit boards

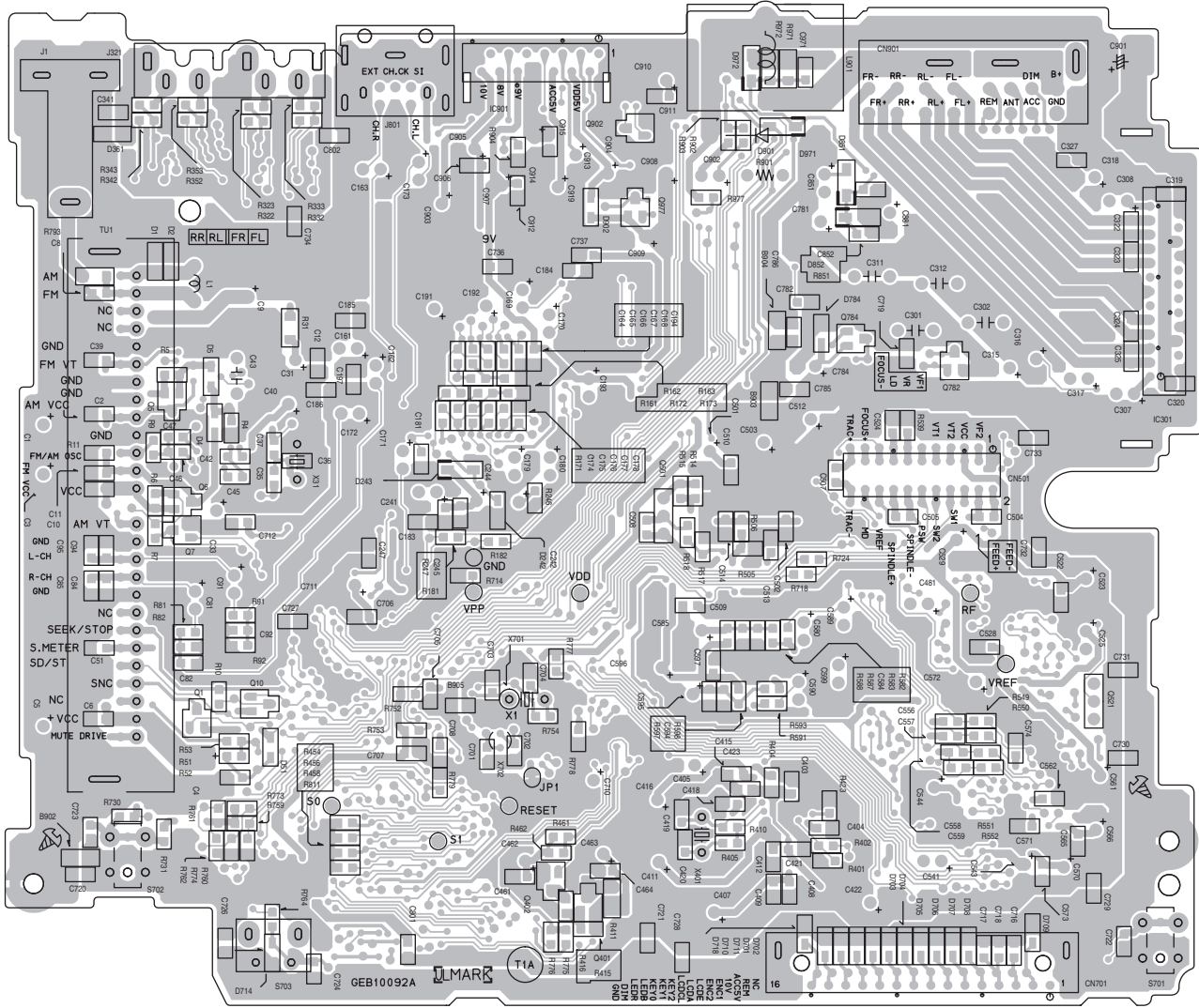
■ Main board

Forward side



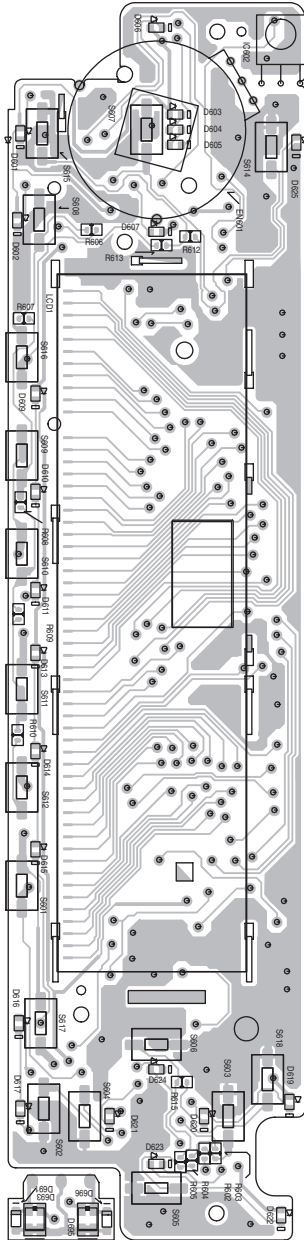
■ Main board

Reverse side

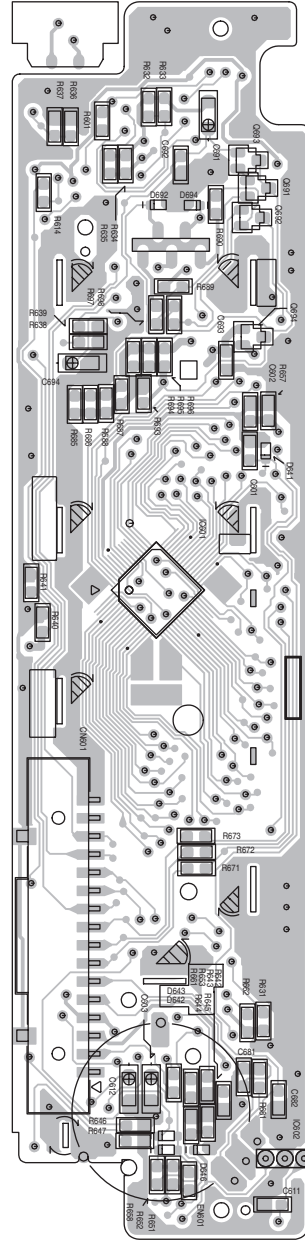


■ Front board

Forward side



Reverse side



JVC

VICTOR COMPANY OF JAPAN, LIMITED

AV & MULTIMEDIA COMPANY MOBILE ENTERTAINMENT CATEGORY 10-1,1chome,Ohwatari-machi,Maebashi-city,371-8543,Japan

(No.MA032SCH)



Printed in Japan
WPC